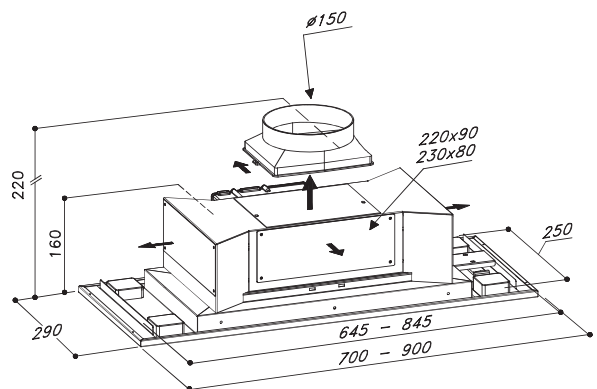


motor on board



external motor

SL 903

Sirius design

stainless steel

dim. (mm)	external motor	model identifier	energetic class
700	SEM1	G903070PB1140541	B
700	SEM2	G903070PB1150541	C
900	SEM1	G903090PB1140541	B
900	SEM2	G903090PB1150541	C

dim. (mm)	motor on board	model identifier	energetic class
700		G903070PB1020541	B
900		G903090PB1020541	A

120



energy label data p. 131

cut out external motor: for 700mm 255x649mm - for 900mm 255x849mm

cut out motor on board: for 700mm 255x649mm - for 900mm 255x849mm